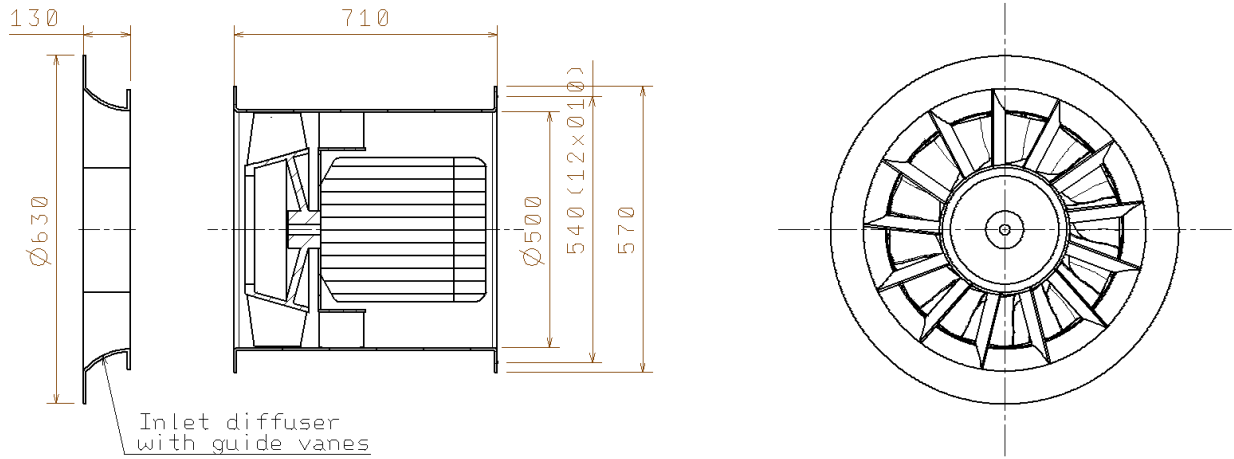
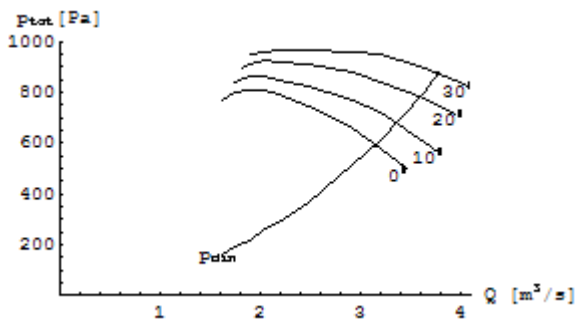


DIAGONAL VENTILATOR DV70N⁰⁵



DV70N⁰⁵
P=2.2 kW at 0°
n=1420 min⁻¹



DV70N⁰⁵
P=18.5 kW at 0°
n=2930 min⁻¹

