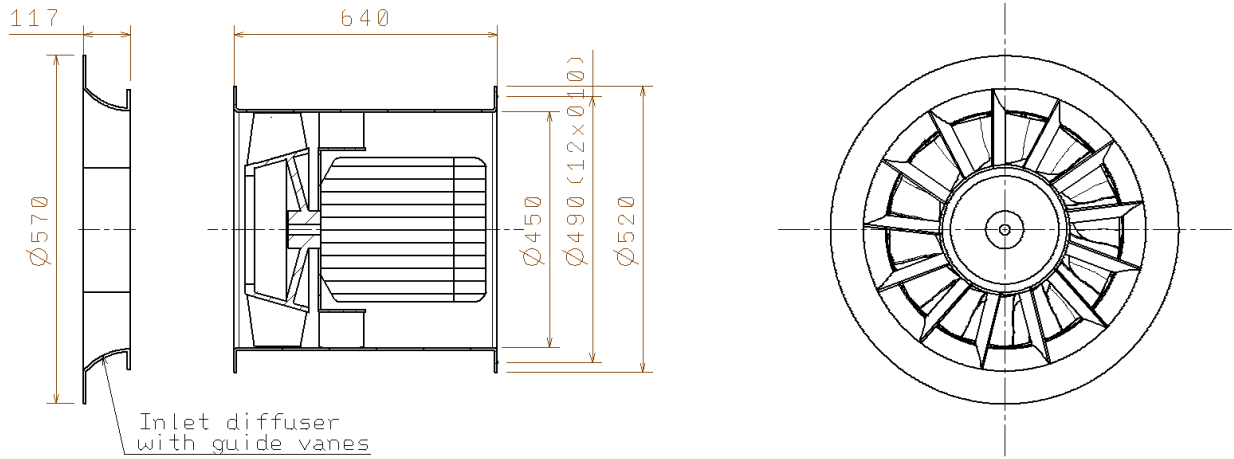
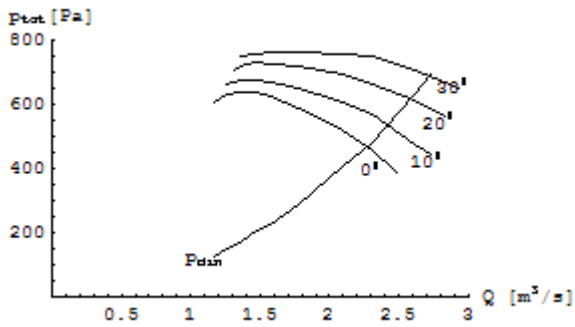


# DIAGONAL VENTILATOR DV70N<sup>0</sup>4.5



**DV70N<sup>0</sup>4.5**  
**P=1.5 kW at 0°**  
**n=1400 min<sup>-1</sup>**



**DV70N<sup>0</sup>4.5**  
**P=11 kW at 0°**  
**n=2930 min<sup>-1</sup>**

