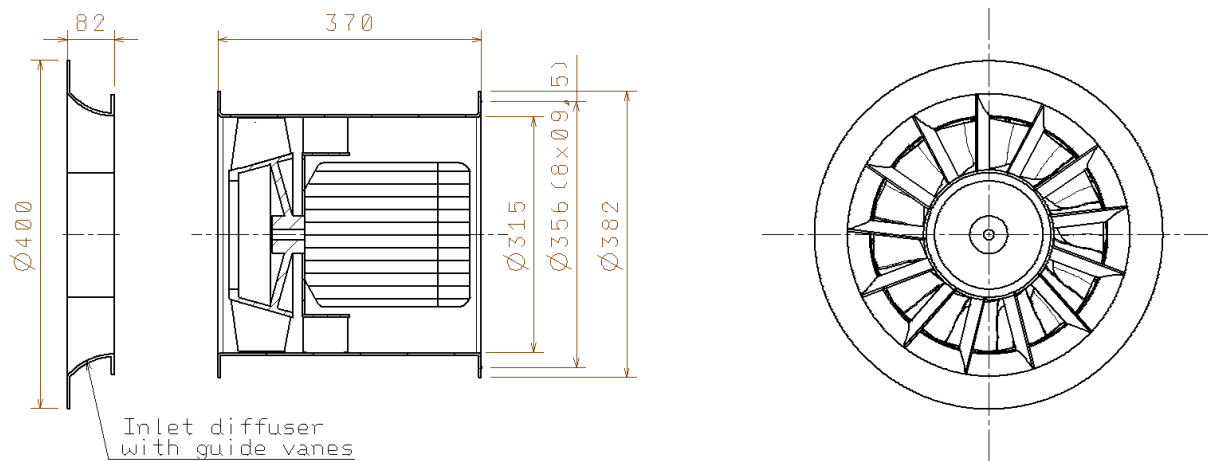
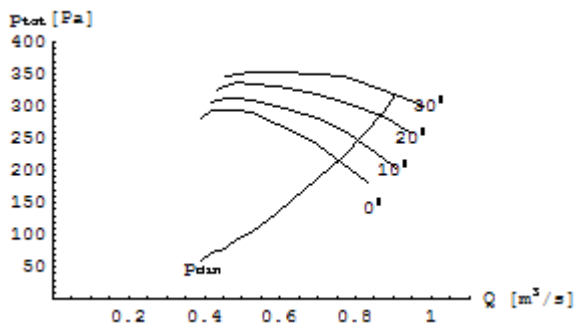


DIAGONAL VENTILATOR DV70N⁰3.15



DV70N⁰3.15
P=0.37 kW at 0°
n=1360 min⁻¹



DV70N⁰3.15
P=2.2 kW at 0°
n=2830 min⁻¹

